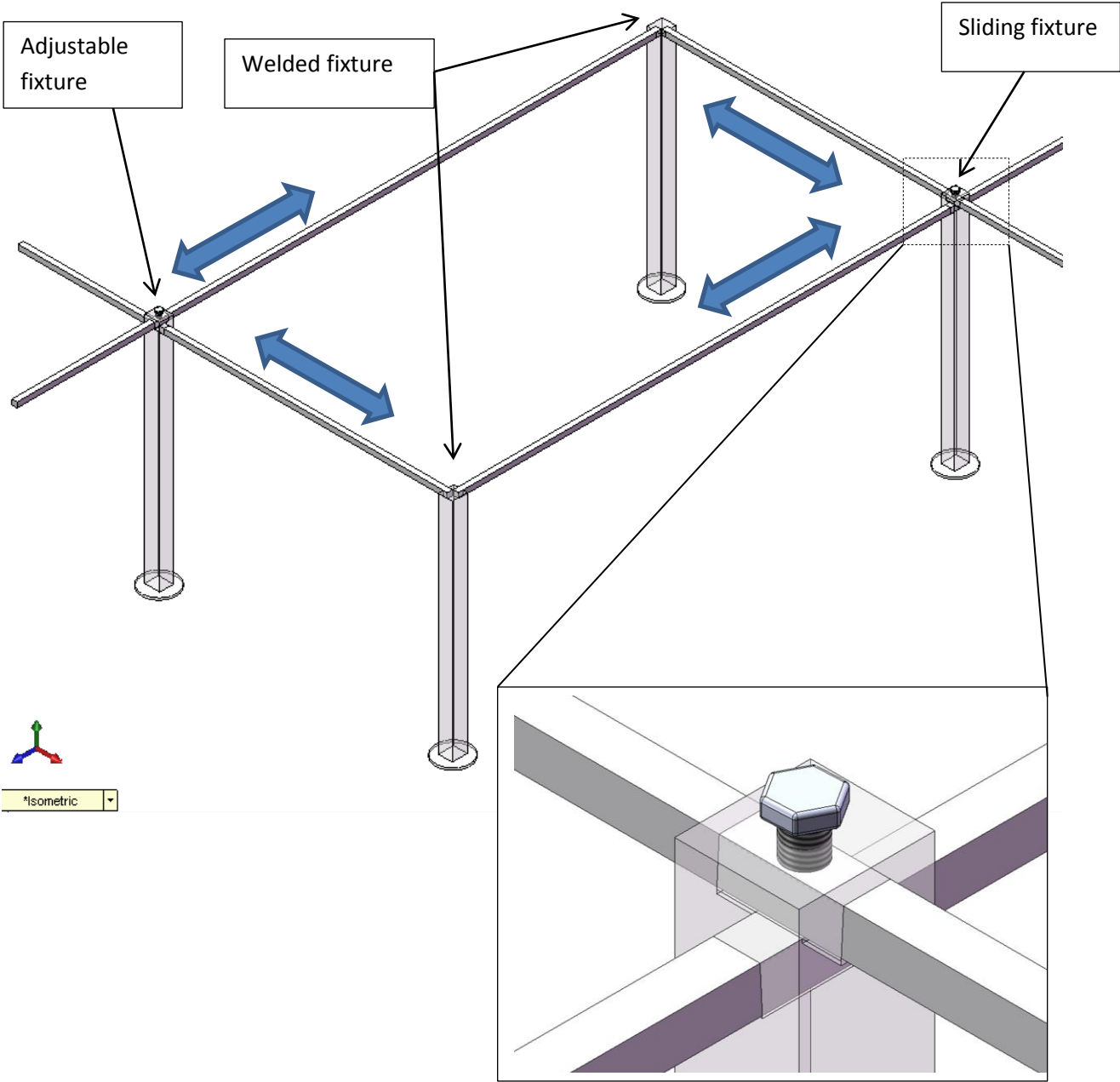
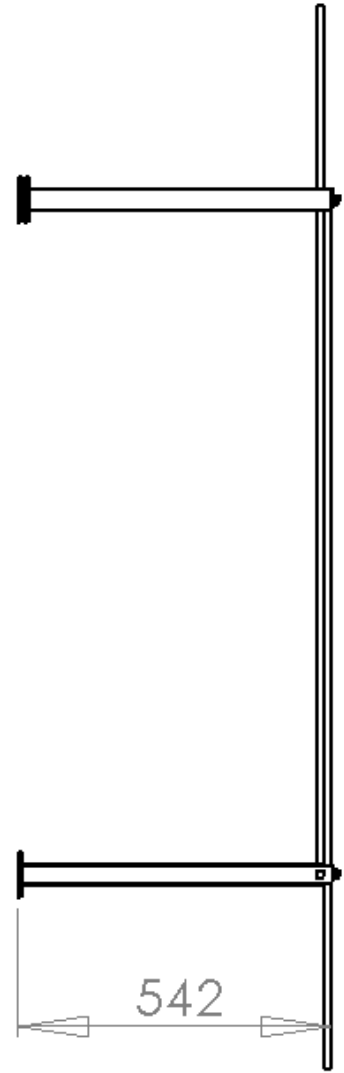
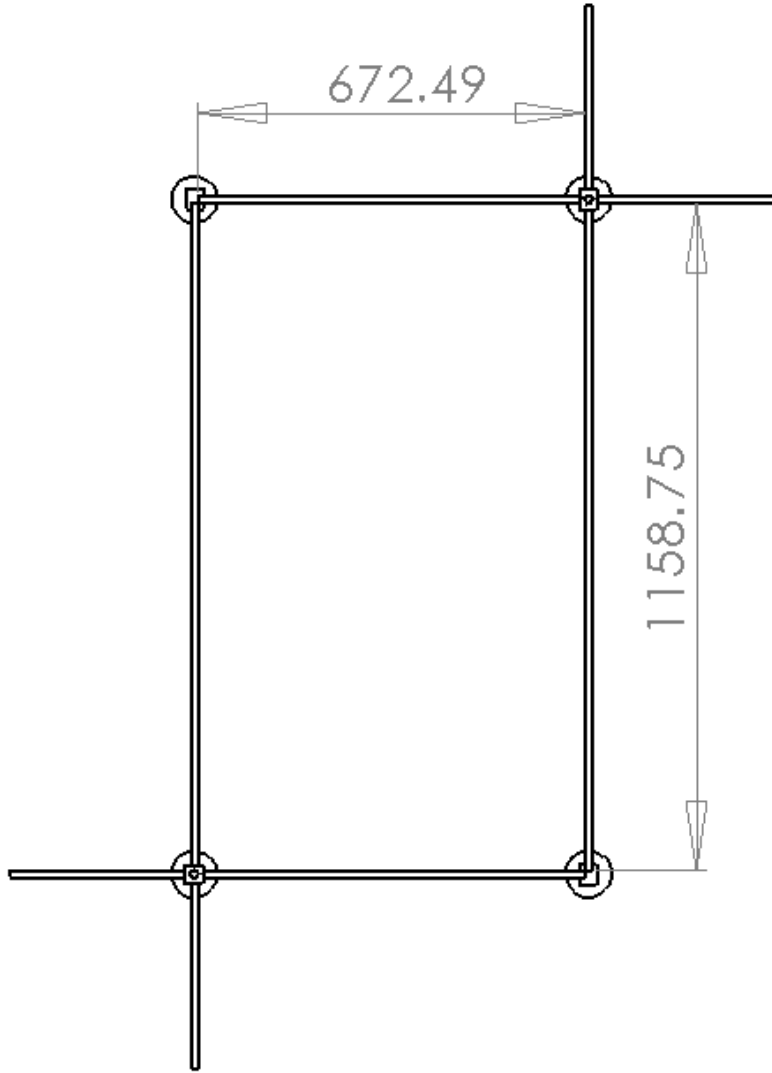


3D Assembled frames on  $12 \times 12 \text{mm}^2$  square bar of SS/Al:

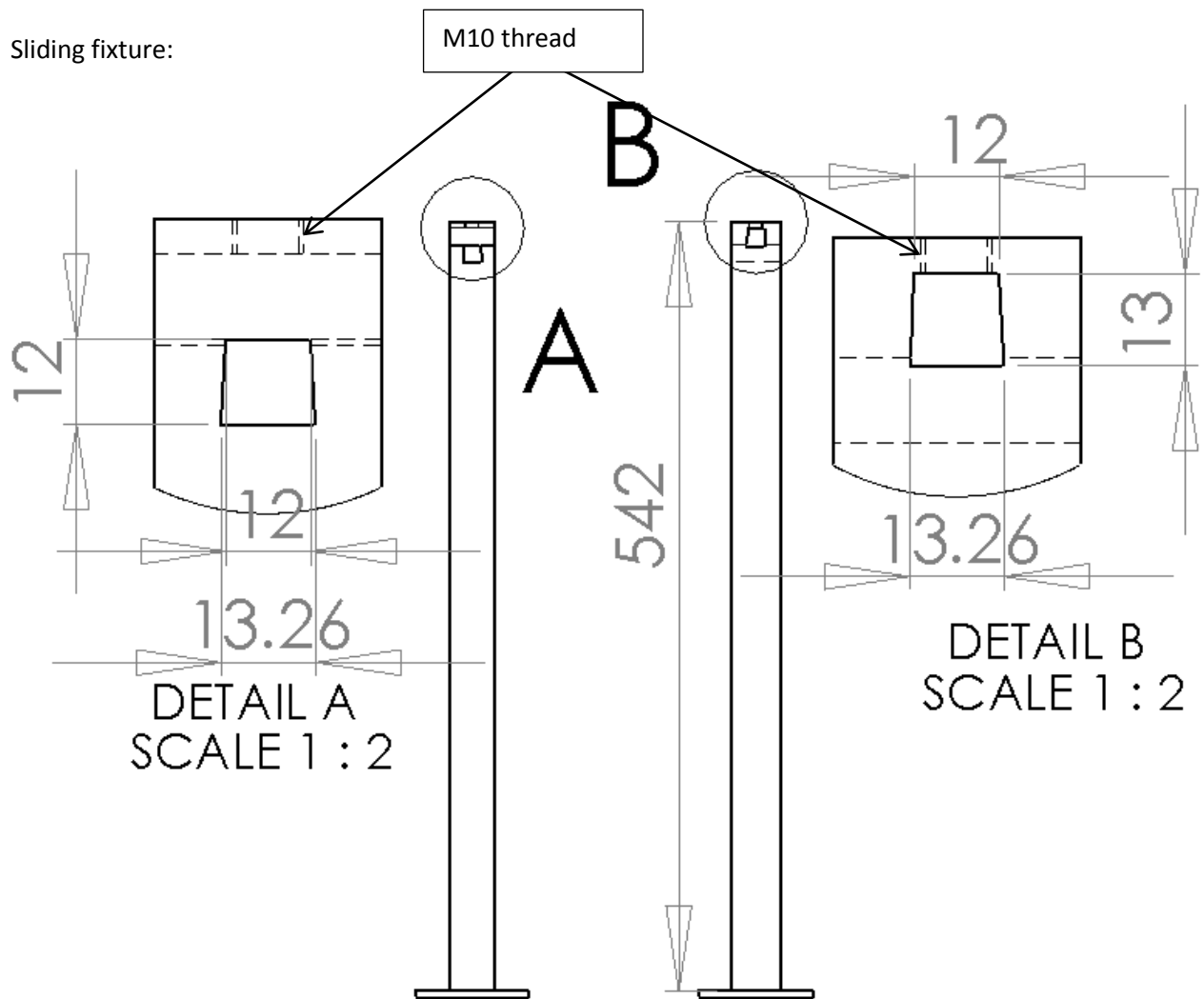




**Note:**

All dimensions are in 'mm'.

Sliding fixture:

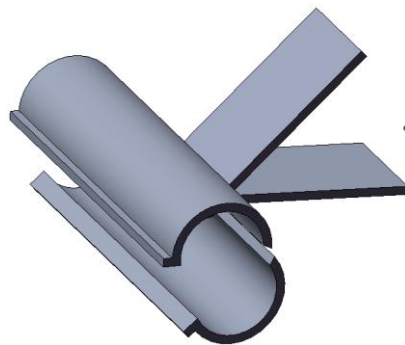
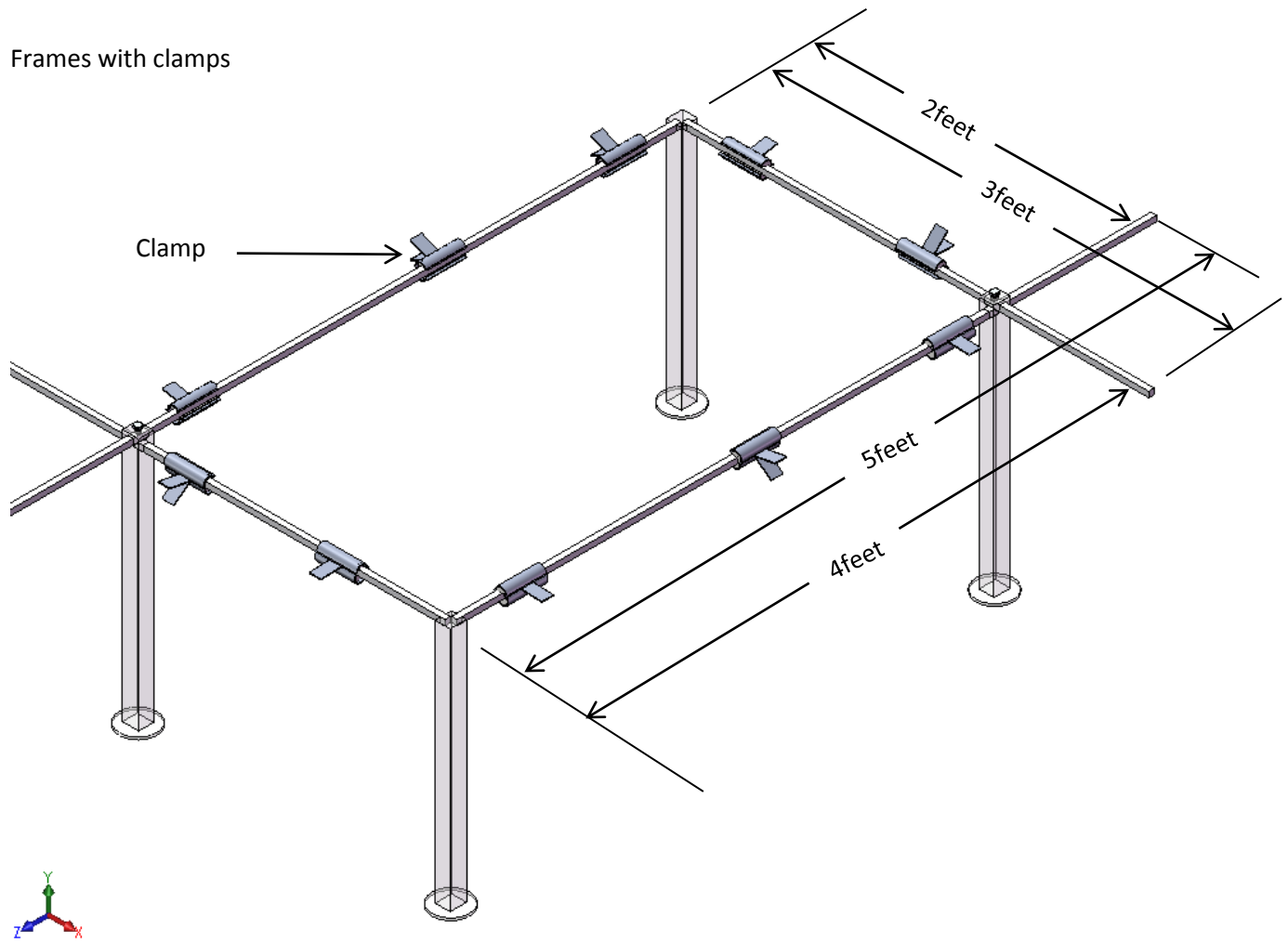


**Note:**

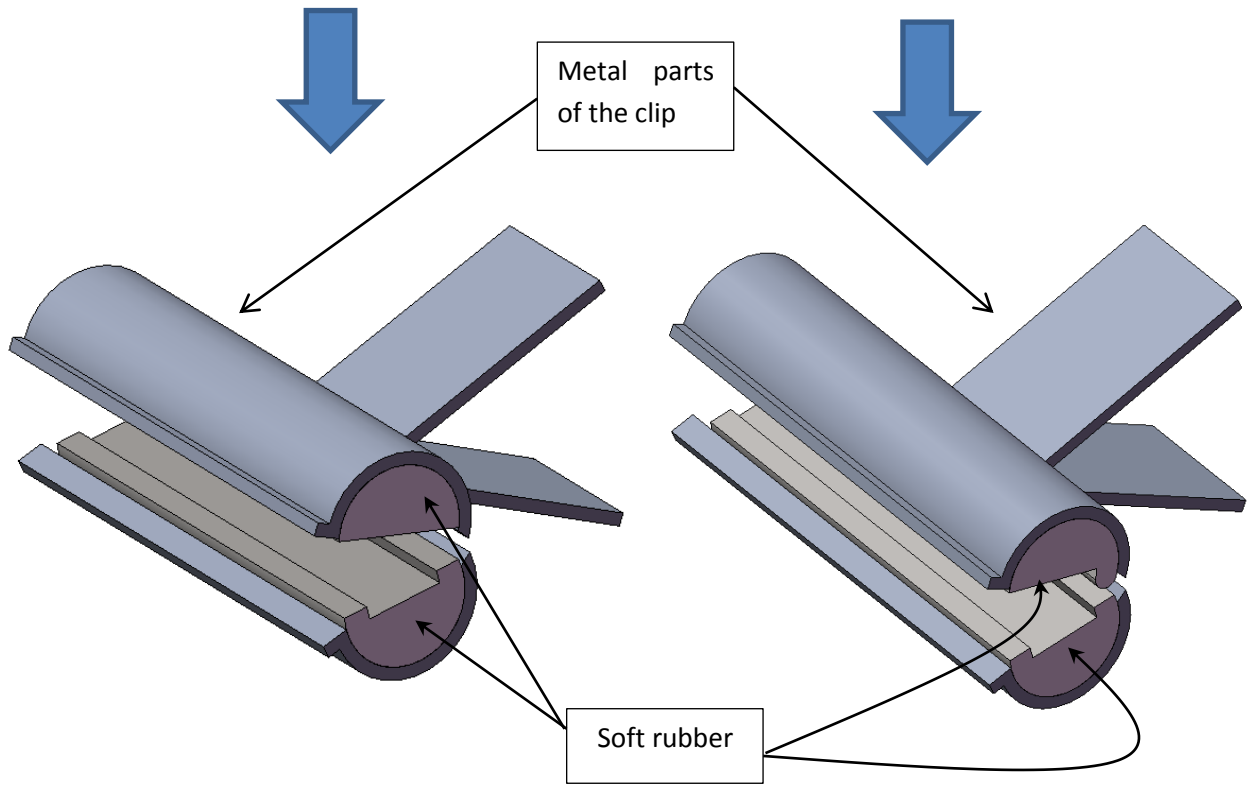
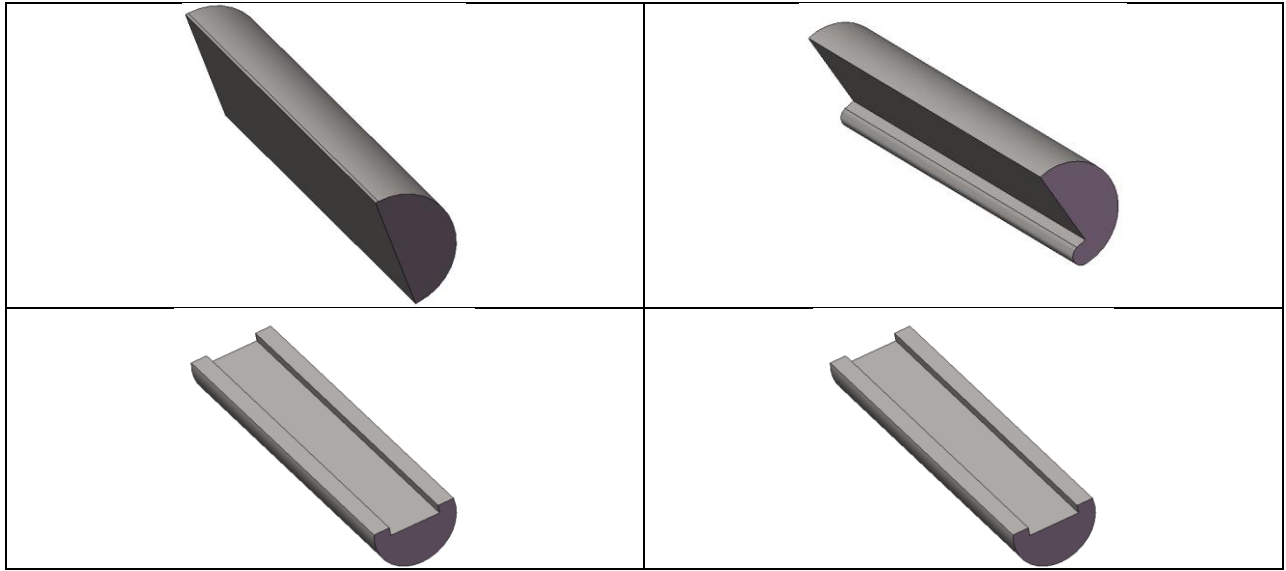
All dimensions are in 'mm'

Material: PVC

Frames with clamps



Clip to be modified using following attachments of **soft rubber** with varying configurations.



**Clamp1:** For cloth holding

**Clamp2:** For cloth holding as well as stretching